

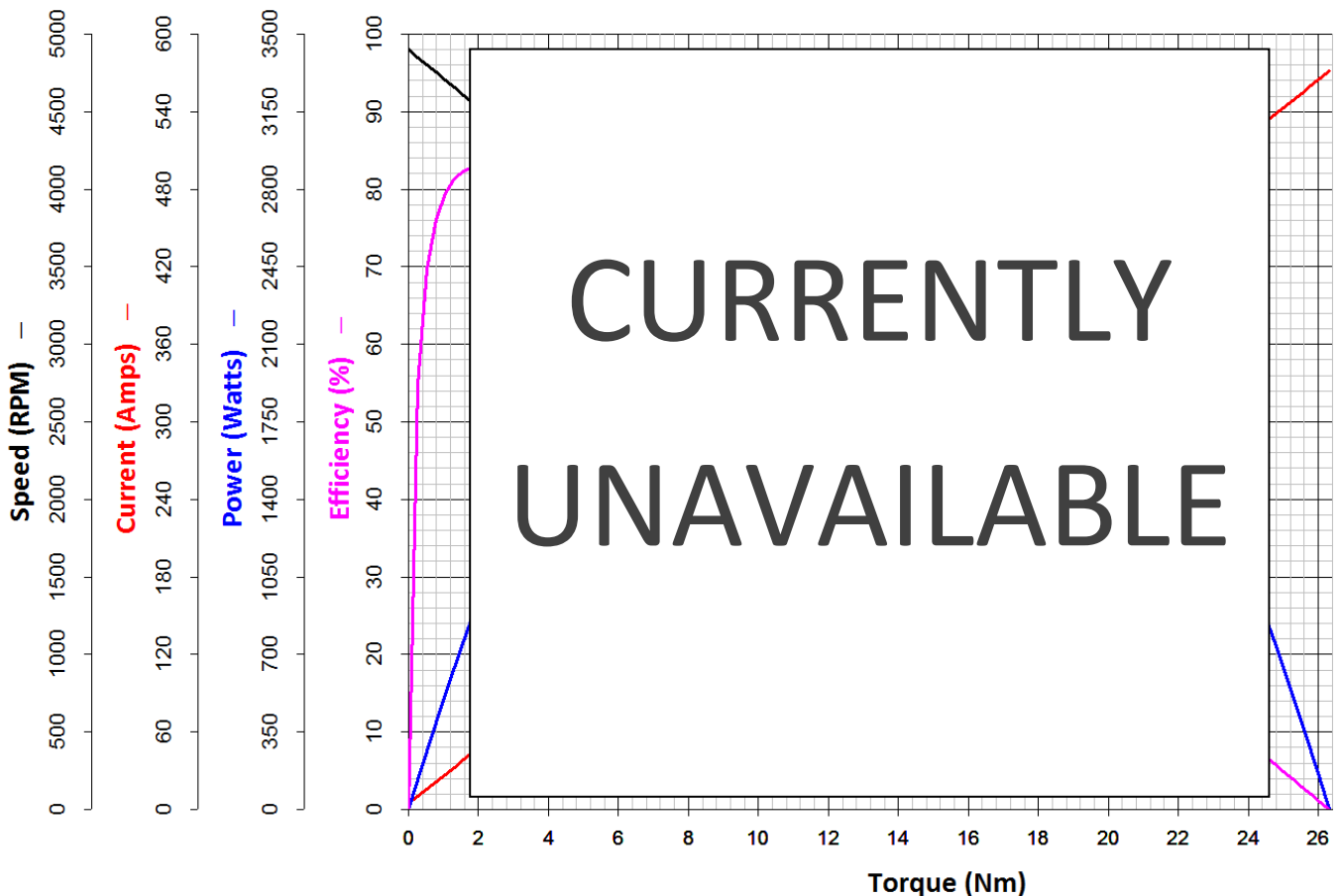
Ampflow A28-400-F48

Specification:

Diameter	77mm (3 in.)
Length	200mm (7.8 in.)
Peak Power	6.8kW (9.1hp)
Stall Torque	51nm (7260 oz-in) *
Efficiency	85%
Nominal Voltage	48V
RPM @ 48V	6400
Shaft Diameter	12.7mm (1/2 in.)
Shaft Length	50.8mm (2 in.)
Keyway	3.175mm (1/8 in.)
Magnet Type	Neodymium
No Load Current	4.4
Resistance	0.066Ω
Weight	3.3kg (7.3lbs)

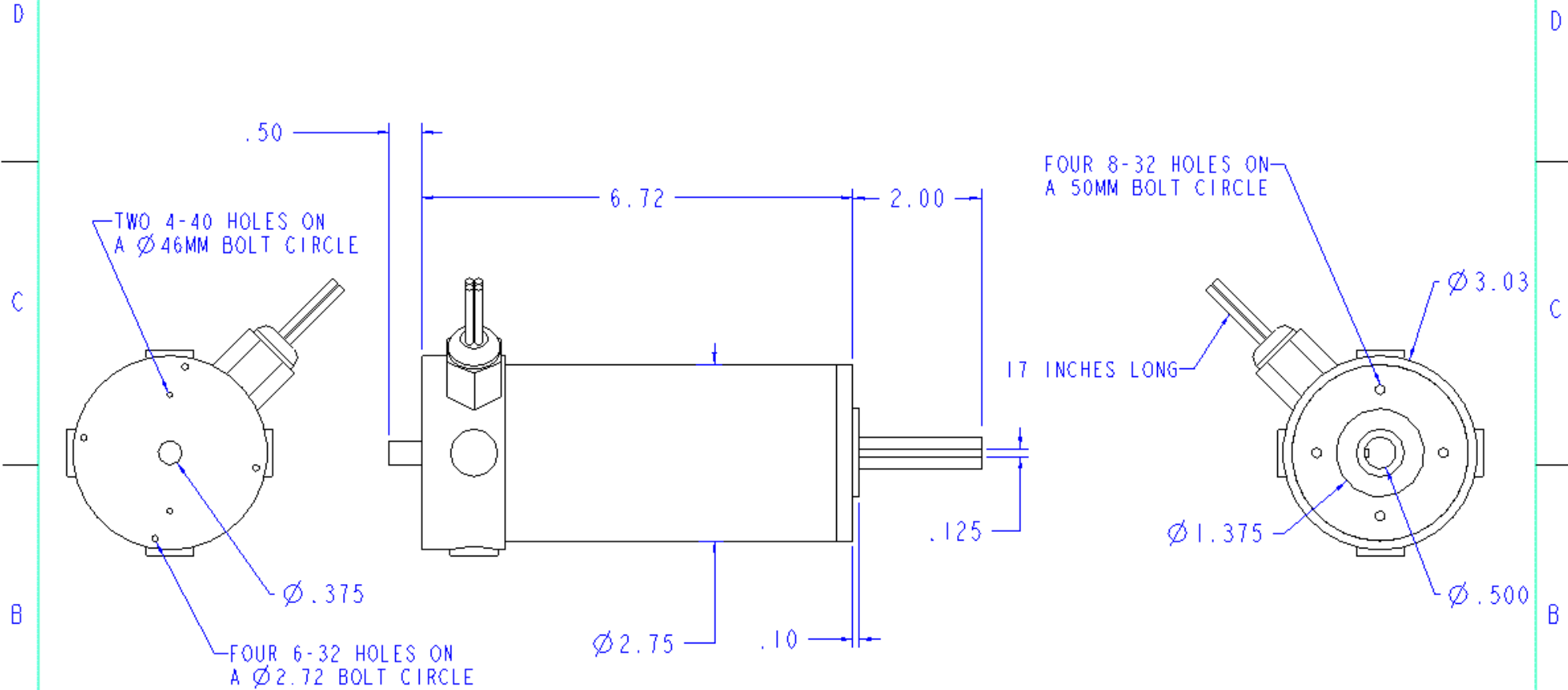
* Note: The current required to reach this torque is far outside the safe operating limits of the motor. This figure is theoretical and should be used for comparative purposes only.

AmpFlow A28-400 48V



REVISIONS				
ECO	REV	DESCRIPTION	DATE	APPROVED

Note: Drawing does not show fan



NOMINAL VOLTAGE: 48
 NO-LOAD RPM: 6400
 MOTOR WEIGHT: 6.9 LBS
 MAGNETS: NEODYMIUM

ITEM	PART NUMBER	DESCRIPTION	QTY
BILL OF MATERIAL			

POLYMERICS UNLESS OTHERWISE NOTED		SIGNATURE		DATE
2 PLC	3 PLC	ANGLE	DETAIL	
\pm	\pm	\pm	APP'D	
REMOVE ROUNDS & SHARP EDGES			APP'D	
THIRD ANGLE PROJECTION				

Powerhouse Engineering

A28-400

DO NOT SCALE THIS DRAWING		DIMENSIONS ARE IN INCHES		SIZE	DRAWING NUMBER	REV
MATERIAL		FINISH		C		
				SCALE	0.900	SHEET 1 OF 1